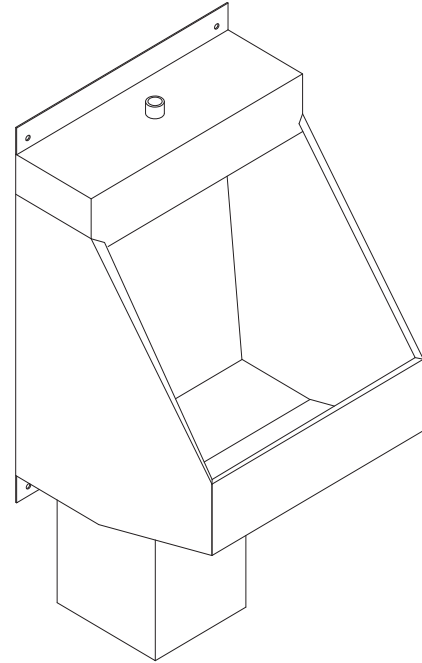


UW-1814-WO-FA Series Front Mounted Single Person Trough Urinal Washout Type



To specify fixture and accessories, use the Model Number and Options Guide.

Example: To specify a front mounted single person blow-out trough urinal with back spud
Use the following Willoughby Model Number:

Willoughby Model Number: UW-1814-WO-FA-BS

Recommended Specifications

Front mounted wall hung single person trough urinal shall be Willoughby Model No. **UW-1814-WO-____-FA**
(select from model number and options list on next page)

Fixture is fabricated from 14 gauge, type 304 stainless steel. The construction shall be all-welded with exposed stainless surfaces polished to a #4 satin finish.

Standard equipment shall include: full perimeter 360 degree flushing rim, beehive strainer, and 1 1/2" slip-joint 'P' trap with removable 'P' trap access. Urinal shall be washout type which requires 25 psi minimum flushing pressure. Trap shall be fully enclosed and maintain a 3" seal.

Anchoring shall be from 'Z' clip and anchoring holes provided. Anchoring hardware by others. Unit requires no chase area for installation and maintenance.

visit our website at www.willoughby-ind.com
5105 West 78th Street • Indianapolis, IN. 46268
(317) 875-0830 • Fax: (317) 875-0837 • (800) 428-4065



MADE IN THE U.S.A.

MODEL NUMBER AND OPTIONS:

1.) Urinal Waste Location:

UW Wall Outlet

2.) Base Model Number:

1814 Single Person Trough Urinal

3.) Flush Type:

WO Wash-out

4.) Inlet Location:

BS Back Spud

TS Top Spud

5.) Front Access:

FA Front Access

6.) Flush Valve GPF's (must Specify):

1.0 Low Flow

0.5 High Efficiency (HEU)

7.) Options:

MT Metal Template

FV Flush Valve

FVC Flush Valve Cover (Top Spud)

FVT Flush Valve Thru-Wall Connection
(Requires Back Spud Option)

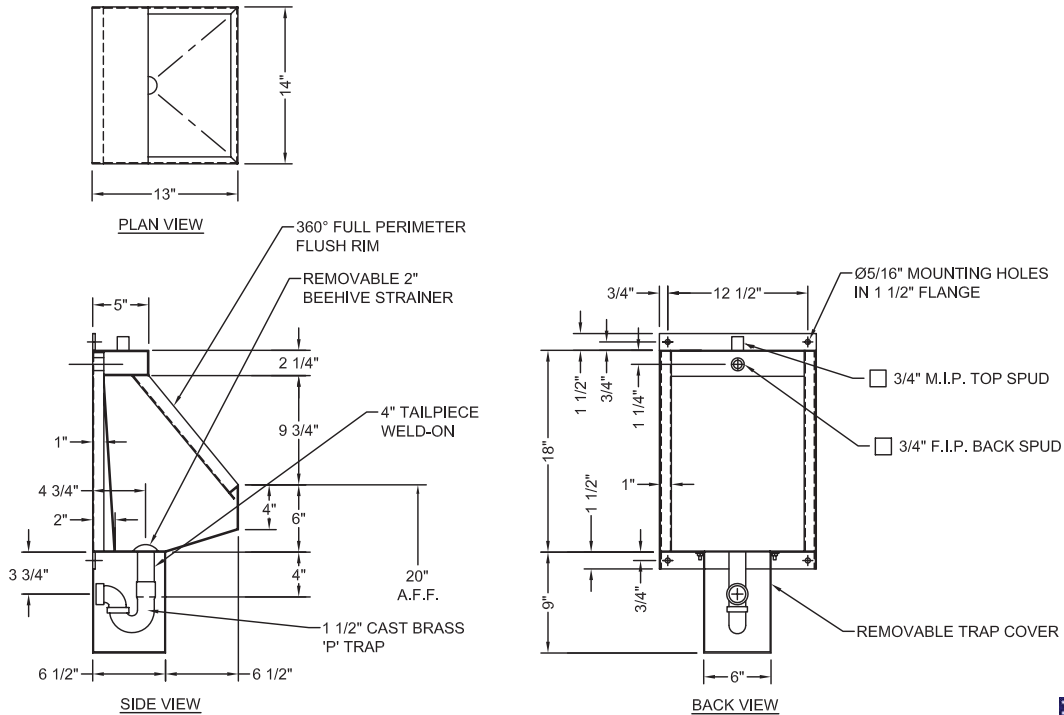
AP Flush Valve Access Panel

Other _____

Other _____

Approved For Manufacturing By: _____ Date: _____ Company: _____
 Wall Thickness: _____ Wall Type: _____

VERIFY ALL DIMENSIONS WITH FACTORY PRIOR TO ROUGH-IN
 WILLOUGHBY RESERVES THE RIGHT TO MAKE CHANGES IN DESIGN AND DIMENSIONS WITHOUT FORMAL NOTICE AND WITHOUT INCURRING OBLIGATION.



visit our website at www.willoughby-ind.com
 5105 West 78th Street • Indianapolis, IN. 46268
 (317) 875-0830 • Fax: (317) 875-0837 • (800) 428-4065



MADE IN THE U.S.A.