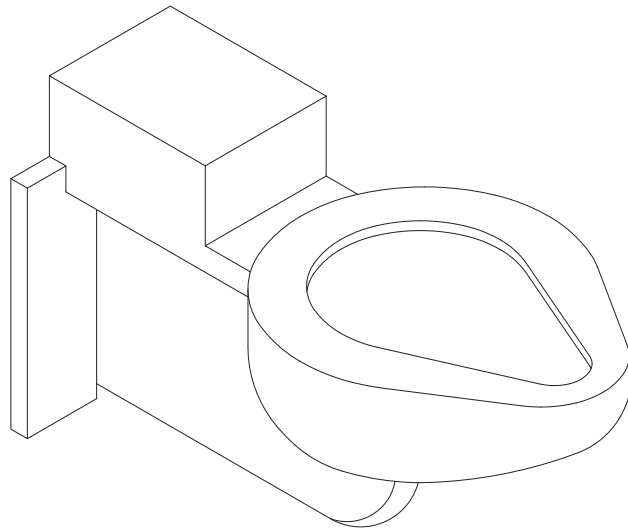


ETWS-1490-OF Off Floor Siphon Jet Series Water Closet



1.6 GPF UNIT SHOWN



IN COMPLIANCE
WITH A.D.A. 2010

* IF MOUNTING WITH
SEAT HEIGHT BETWEEN
17"-19" A.F.F.

To specify fixture and accessories, use the Model Number and Options page.

Example: To specify an ETWS-1490-OF-BS off floor, back spud, 1.6 GPF toilet with toilet waste extension, Toilet overflow preventer, flush valve connector, flush valve and wall sleeve.

Use the following Willoughby Model Number: ETWS-1490-OF-BS-1.6-TWE-T4-FVT-FV-WS.

Recommended Specifications

Toilet shall be Willoughby Model No. **ETWS-1490-OF-**_____
(select from model number and options list on next page)

Fixture shall be fabricated from 14 gauge, type 304 stainless steel. The construction shall be all welded, with exposed stainless surfaces polished to a #4 satin finish.

Standard toilet shall include: elongated toilet bowl with contoured seat, integral crevice-free self-draining flushing rim with positive afterfill and fully enclosed 2 1/2" O.D. trap which shall maintain a minimum 2" seal and pass a 2 1/8" ball. Toilet shall be siphon jet type which requires 35 psi minimum flushing pressure. Model shall meet the requirements of ASME A112.19.3/CSA B45.4.

Fixture shall withstand loadings of 5,000 lbs. without permanent damage.

Anchoring shall be by standard 4-point system: threaded rods, nuts and washers shall be furnished for walls up to 8" thick. Unit shall require chase area for installation and maintenance.

On back to back fixture installations, do not use standard cross type waste fitting: cross flow may result due to blowout jet action. Use sanitary or offset type waste fittings.

Note: for HET 1.28 GPF, unit will pass a 2" ball.

visit our website at www.willoughby-ind.com
5105 West 78th Street • Indianapolis, IN. 46268
(317) 875-0830 • Fax: (317) 875-0837 • (800) 428-4065



MADE IN THE U.S.A.

MODEL NUMBER AND OPTIONS:

1.) Toilet Waste Location:

- ETWS Wall, Siphon Jet

2.) Base Model Number:

- 1490

3.) Fixture Mounting:

- OF Off Floor

4.) Inlet Location:

- BS Back Spud
- TS Top Spud

5.) Flush Valve GPF'S (Must Specify):

- 1.28 GPF HET
- 1.6 GPF ULF (standard)
- 3.5 GPF (3" waste tube required)

6.) Toilet Waste:

- TWE Toilet Waste Extension
- TW3 Coupling & 3" Clean-Out For TWE
- TW5 Coupling & 4" Clean-Out For TWE
- PC3 Pinned Clean-Out Plug PVC-3"
- PCB3 Pinned Clean-Out Plug Brass-3"
- PC4 Pinned Clean-Out Plug PVC-4"
- PCB4 Pinned Clean-Out Plug Brass-4"
- WO3 3" Toilet 'P'-Trap (3.5 GPF Only)
- COH Clean-Out Hook
 - COH3 3" Clean-Out Hook, 3" PVC Plug
 - COH4 4" Clean-Out Hook, 4" PVC Plug
- GW Gasketed Waste
- NALLYATOR Waste Line Device
 - NLY3 3" Nallyator Waste Line Device
 - NLY4 4" Nallyator Waste Line Device

7.) Electronic Controls (Must Use Electronic Flush Valve):

- TWC-3P Connecting to 3" PVC
- TWC-3C Connecting to 3" Cast Iron
- TWC-4P Connecting to 4" PVC
- TWC-4C Connecting to 4" Cast Iron

8.) Options

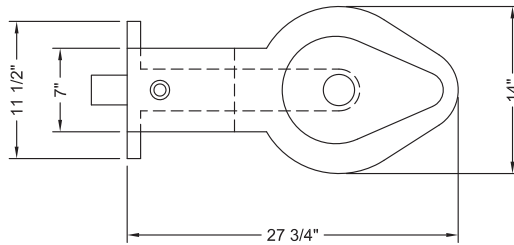
- FV Hydraulic Flush Valve
- FVC Flush Valve Cover (Top Spud Only)
- EFV Electronic Flush Valve
- EFVP Electronic Flush Valve w/ Piezo Pushbutton
- FVT Flush Valve Connection
- TFE Toilet Flush Extension
- AP Flush Valve Access Panel
- HS Hinged Plastic Seat
 - Black White
- HPS High Polish Seat
- DC Decorator Color (Fixture Exterior - White)
- MT Metal Template
- RTH1 Wall Mounted Recessed Tissue Holder
- RTH2 Wall Mounted Recessed Tissue Holder (Front Mounted)
- T4 Manual Reset Toilet Overflow Preventer (Requires Hydraulic Flush Valve)
- T4A Auto Reset Toilet Overflow Preventer (Requires Hydraulic Flush Valve)
- ET4 Electronic Overflow Preventer
- TF 24v Transformer
- WS Wall Sleeve
- TSC Toilet Shipping Cover
- Other _____
- Other _____

9.) Electronic Controls: (Must Use Electronic Flush Valve)

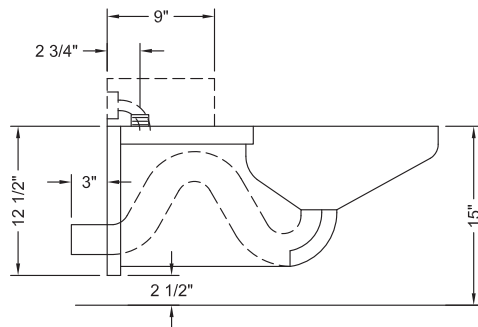
- Pneutronic
- WITS
- WMSII

Approved For Manufacturing By: _____ Date: _____ Company: _____
 Wall Thickness: _____ Wall Type: _____

VERIFY ALL DIMENSIONS WITH FACTORY PRIOR TO ROUGH-IN
 WILLOUGHBY RESERVES THE RIGHT TO MAKE CHANGES IN DESIGN AND DIMENSIONS WITHOUT FORMAL NOTICE AND WITHOUT INCURRING OBLIGATION.



PLAN VIEW



SIDE VIEW

1.6 GPF VERSION SHOWN,
 3.5 AND 1.28 MAY VARY
 IN SIZE.

visit our website at www.willoughby-ind.com

5105 West 78th Street • Indianapolis, IN. 46268
 (317) 875-0830 • Fax: (317) 875-0837 • (800) 428-4065



MADE IN THE U.S.A.