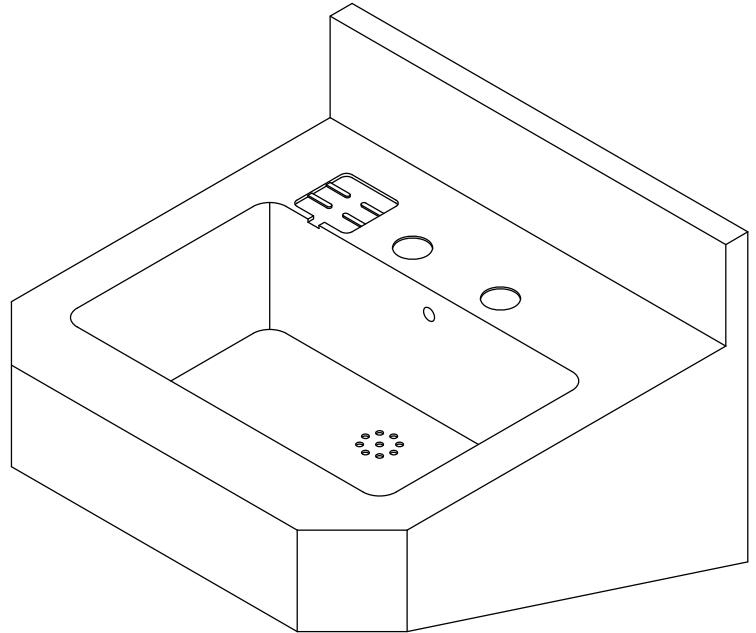


ES-1015-HC Handicap Lavatory-Commercial Exposed Trap



To specify fixture and accessories, use the Model Number and Options Guide.

Example: To specify an ES-1015-HC handicap lavatory with deck mounted spout, dual temp., pneumatic metering valve and chrome plated 'P' trap.

Use the following Willoughby Model Number: ES-1015-HC-DMS-PML2-TT.

Recommended Specifications

Handicap lavatory shall be Willoughby Model No. **ES-1015-HC**. (select from model number and options list on next page)

Fixture shall be fabricated from 16 gauge, type 304 stainless steel. The construction is all-welded with exposed stainless surfaces polished to a #4 satin finish.

Standard lavatory shall include: rectangular shaped bowl, 14 1/2" x 9 1/2" x 5 1/2" deep, fast drain with overflow vent, 4" long 1 1/2" diameter tailpiece and self-draining soap dish.

Anchoring shall be from the front with 'z' clip and anchoring holes provided. Anchoring hardware by others. Unit requires no chase area for installation and maintenance.

This product is designed to comply with the Americans with Disabilities Act (A.D.A.) and Texas Accessibility Standards (T.A.S.).

MODEL NUMBER AND OPTIONS:

1.) Lavatory Type:

ES

2.) Base Model Number:

1015-HC 18" Handicap Lavatory

3.) Spout Selection:

DMS Deck Mounted Spout
 DMBPH Deck Mounted Hemispherical Filler/Bubbler

4.) Valve Selection:

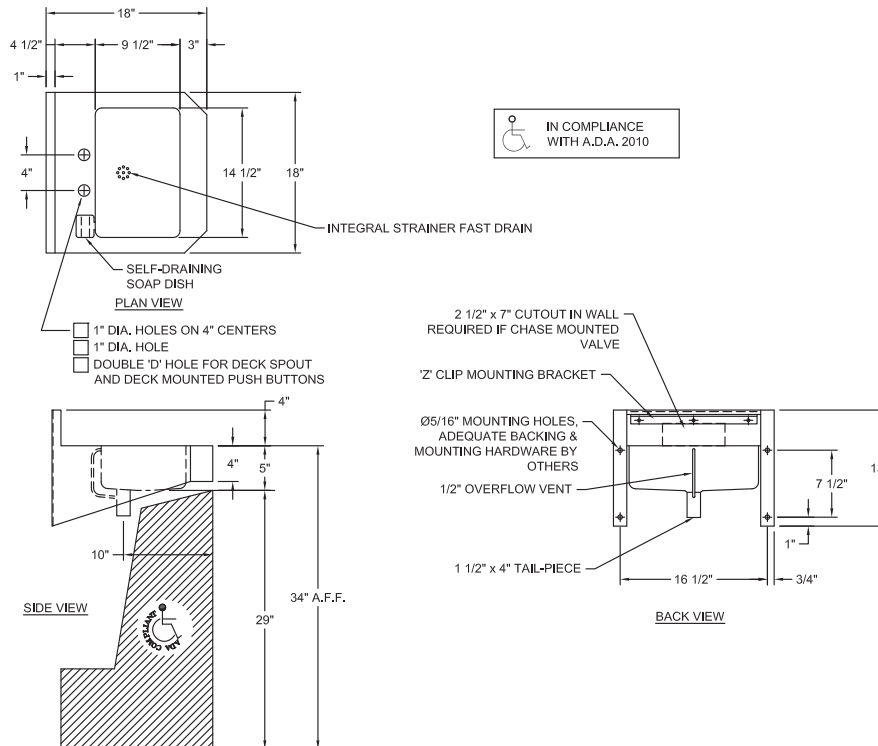
NV No Valve (Standard)
 SP Special Punching (Specify)
 (2) 1" Dia. Holes, 4" Centers
 (2) 1" Dia. Holes, 8" Centers
 (1) 1" Dia. Hole
 PSL1 Single Temp. Pneu. Self-Closing
 PSL2 Dual Temp. Pneu. Self-Closing
 PML1 Single Temp. Pneu. Metering
 PML2 Dual Temp. Pneu. Metering
 E1L1 Single Temp. Electronic (Pick Control)
 E1L2 Dual Temp. Electronic (Pick Control)
 PBH Anti-Suicide Pushbutton

5.) Lavatory Waste:

TE Trap Enclosure
 TT Chrome Plated 'P' Trap

Approved For Manufacturing By: _____ Date: _____ Company: _____
 Wall Thickness: _____ Wall Type: _____

VERIFY ALL DIMENSIONS WITH FACTORY PRIOR TO ROUGH-IN
 WILLOUGHBY RESERVES THE RIGHT TO MAKE CHANGES IN DESIGN AND DIMENSIONS WITHOUT FORMAL NOTICE AND WITHOUT INCURRING OBLIGATION.



visit our website at www.willoughby-ind.com
 5105 West 78th Street • Indianapolis, IN, 46268
 (317) 875-0830 • Fax: (317) 875-0837 • (800) 428-4065



MADE IN THE U.S.A.

© Rev. 2/2015