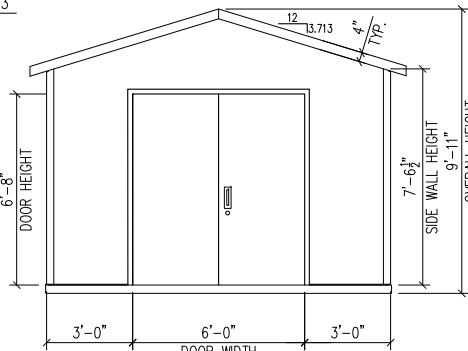
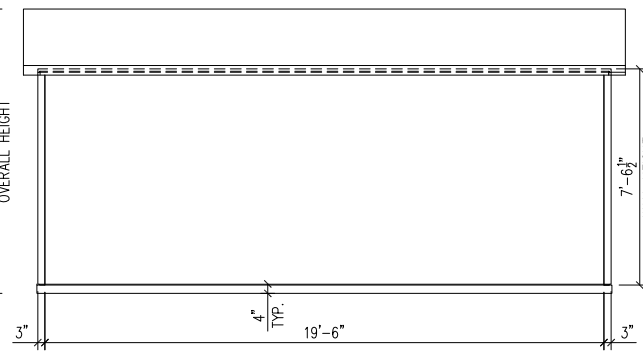


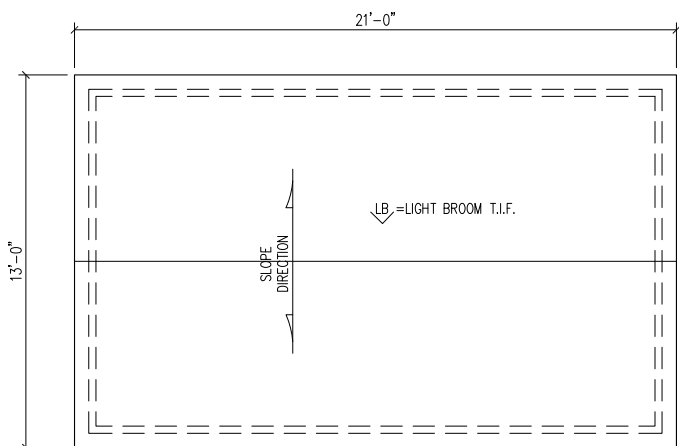
FLOOR PLAN



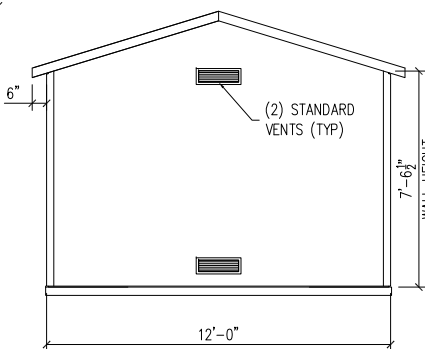
FRONT ELEVATION



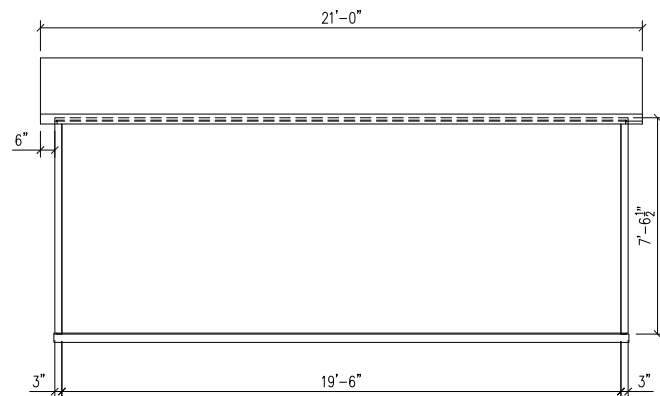
RIGHT ELEVATION



ROOF PLAN



BACK ELEVATION



LEFT ELEVATION

NOTE: FINISH OPTIONAL, VARIOUS FINISHES ARE AVAILABLE

- EASI-BRICK
- EXPOSED AGGREGATE
- BROOM
- OTHER: \_\_\_\_\_

- GENERAL NOTES:
- ALL REQUIRED OPENINGS FOR ELECTRIC, MECHANICAL, LOUVERS, ETC. MUST BE SIZED AND LOCATED BY BUYER ON THIS DRAWING (OPENING SIZES AND LOCATIONS MAY HAVE TO BE ALTERED IF THEY INTERFERE WITH CONNECTIONS OR REINFORCING)
  - ALL VIEWS ARE FROM EXTERIOR
  - A SIGNED COPY MUST BE RETURNED BEFORE BUILDING CAN BE RELEASED FOR PRODUCTION

MESSAGE CENTER	
BUILDING FINISH	TO BE SELECTED
BUILDING STAIN	-
DOOR COLOR	-
BUILDING WEIGHT	-
CUSTOMER APPROVAL	
APPROVED BY:	DATE:

DATE	DESCRIPTION	INITIALS	REV
			1
			2
			3
			4
			5

PROJECT: 12X20X7'-6" EASI-SET CABLED BUILDING  
 ADDRESS \_\_\_\_\_  
 CITY STATE \_\_\_\_\_  
 CONTRACTOR: CONTRACTOR

BUILDING LAYOUT

JOB # \_\_\_\_\_

DRAWN BY \_\_\_\_\_  
 WSK

CHECK BY \_\_\_\_\_  
 ESM

ISSUE DATE \_\_\_\_\_  
 03.28.14

SHEET LAYOUT

**EASI-SET® WORLDWIDE**  
**SET**  
 5119 Callett Rd. • Midland, VA 22728 • info@EasiSet.com  
 WWW.EasiSet.com • 800-547-4045 • Fax 540-439-2541